

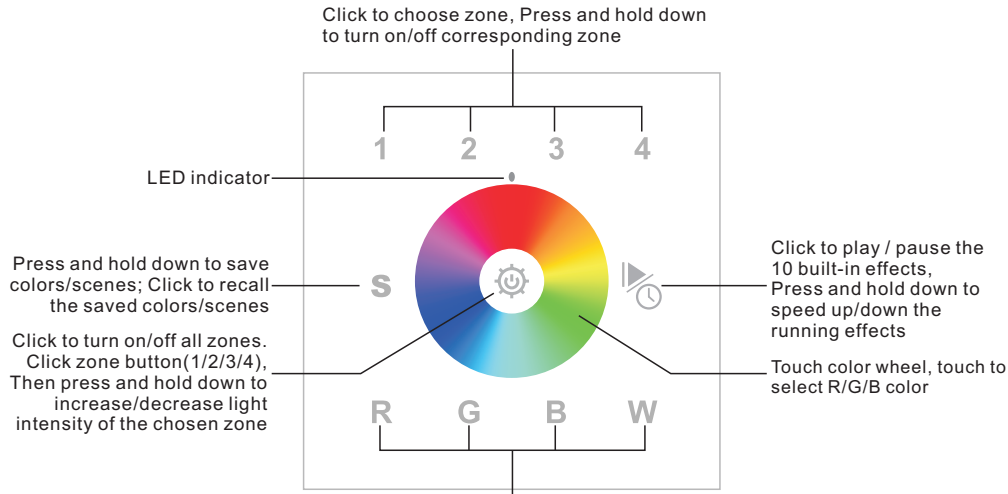
RF RGBW Wall Mounted Controller

09.2820E.04176

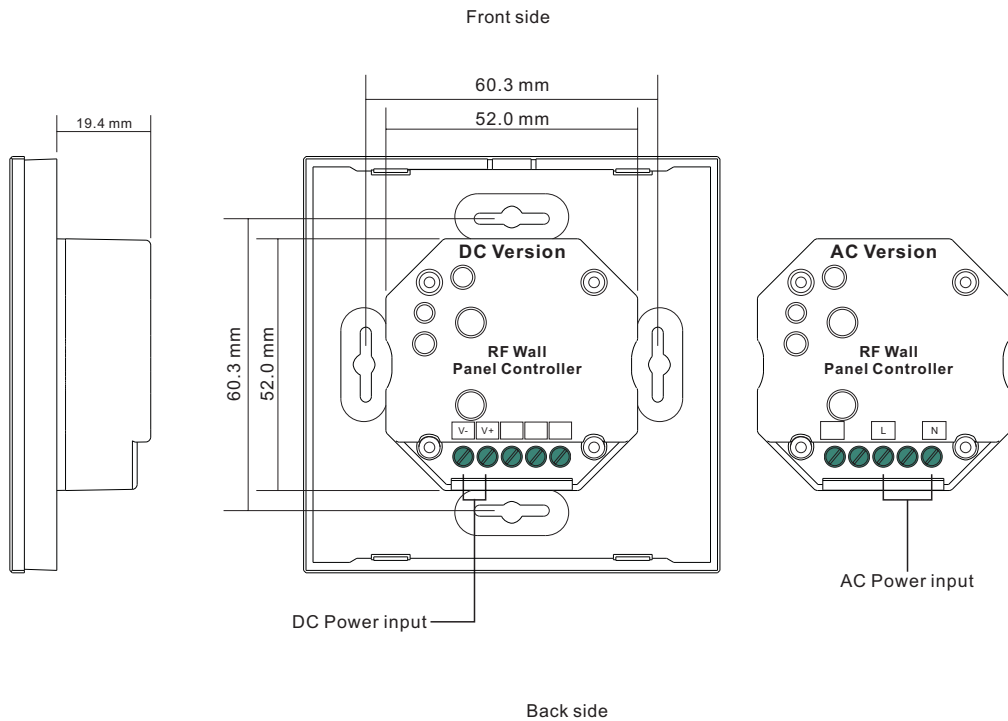


Important: Read All Instructions Prior to Installation

Function introduction



R/G/B/W 4channels: Click to turn off/on the channel
Press and hold down to increase/decrease light intensity of each channel



Product Data

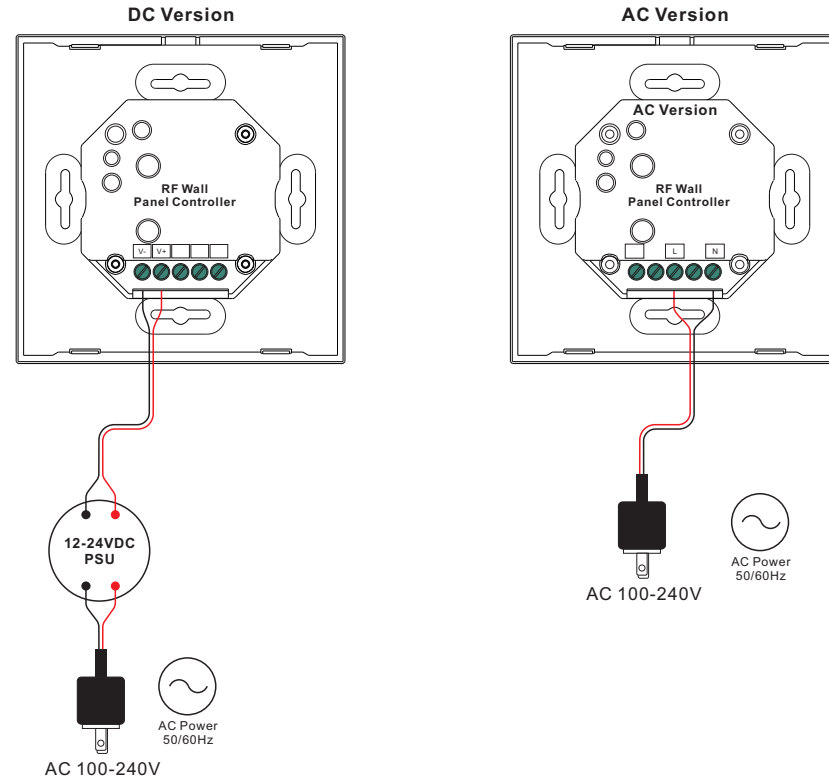
	DC Version	AC Version
Output Signal	RF signal	RF signal
Power Supply	12-24VDC	100-240VAC
Power consumption	200 mA	15 mA
Operating temperature	0-40°C	0-40°C
Relative humidity	8% to 80%	8% to 80%
Dimensions	86x86x29.1mm	86x86x29.1mm

- Touch sensitive
- Glass interface(white & black)
- Compatible with all universal series RF receivers
- Control RGBW color
- Control 4 zones synchronously and separately
- Waterproof grade: IP20

Safety & Warnings

- DO NOT install with power applied to device.
- DO NOT expose the device to moisture.

Wiring diagram



Pair with RF receivers:

Turn on the wall panel controller → Click "Learning Key" on RF receiver → Click a zone number on the wall panel controller:1/2/3/4 → Touch the color wheel

→ LED lights connected with the RF receiver will flicker once → The receiver is paired with the remote successfully.

How to delete the pairing:

Press and hold down "Learning Key" on the receiver for over 3 seconds until connected LED lights flicker twice, which means the pairing is deleted successfully.

Save color/scene/mode:

Turn on the wall panel controller → Click one of the paired zone numbers → Operation the buttons to select a color /mode you like → Press and hold down button **S** until the LED indicator flashes once

→ Immediately click any of the zone numbers that you would like to save the color/scene to → The connected LED light with DMX decoder/RF receiver will flash → The color/scene is saved successfully.

Recall the saved colors/scenes:

Turn on the wall panel controller → Click any of the zone numbers you would like to recall the scene/color → Click button **S** → Click the zone number again to recall the saved.

Installation

